



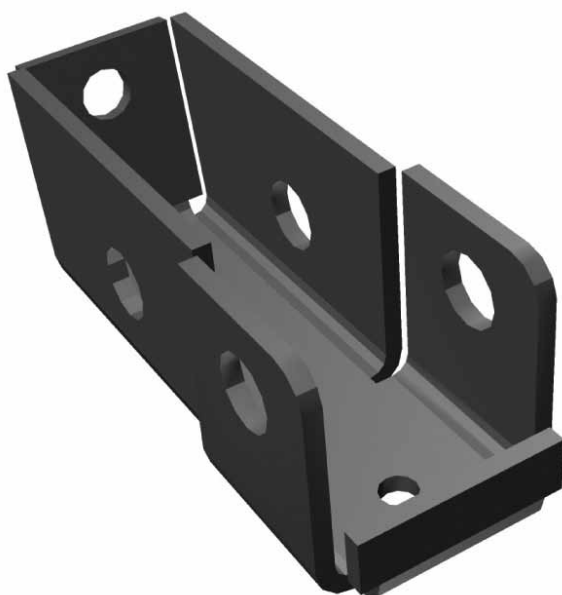
INSTALLATION INSTRUCTIONS

Product: Shock Extension

Part Number: JKS2944

Applications: Jeep Wrangler TJ, 1997-06

517-278-1226 • tech@jksmfg.com • www.jksmfg.com
491 W. Garfield Avenue, Coldwater, MI 49036



Welcome

CONGRATULATIONS on purchasing new Shock Extensions from JKS Manufacturing. We are committed to providing you with the best products available and your satisfaction is our first priority.

PLEASE READ these Installation Instructions carefully, and save them for future reference, as they contain important installation and maintenance information.

Important

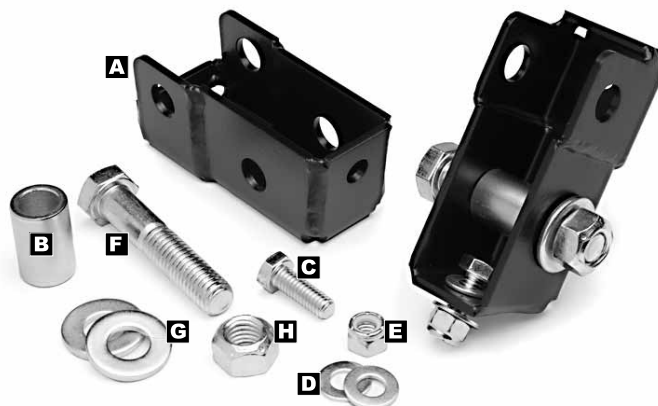
INSTALLATION OF SHOCK EXTENSIONS relocates the rear lower shock mounts 1-3/4" away from the axle housing for additional clearance.

Tools Required

- Metric/Standard Socket Wrench Set
- 1/2" Open End Wrench
- Torque Wrench
- Factory Service Manual (recommended)

** Asterisk denotes tools that are not required for some applications. Thoroughly read instructions first to determine which tools will be required for your application.*

Parts



	Description	Part #	QTY
A	Extension Bracket	70606	2
B	Steel Sleeve	70607	2
C	5/16" x 7/8" Bolt	13054	2
D	5/16" SAE Flat Washer	33080	4
E	5/16" Nylock Nut	37021	2
F	1/2" x 2-1/2" Bolt	13213	2
G	1/2" SAE Flat Washer	33086	4
H	1/2" Ovalok Nut	37268	2

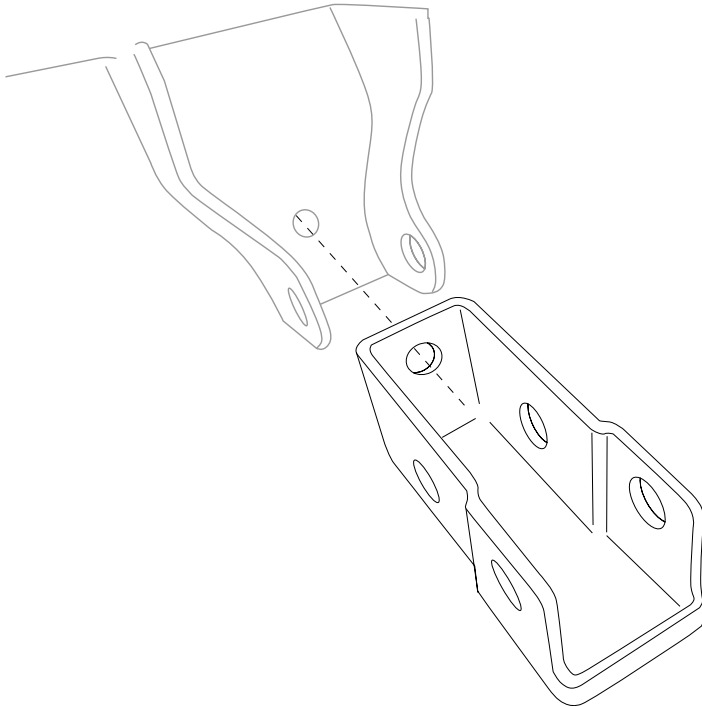
Installation

❑ 1. REMOVE SHOCK ABSORBERS

- Remove the nut and bolt that secures rear shock absorber to axle. Retain hardware for re-installation.
- Remove shock absorber from lower mount and move it out of the way.

❑ 2. INSTALL EXTENSION BRACKET

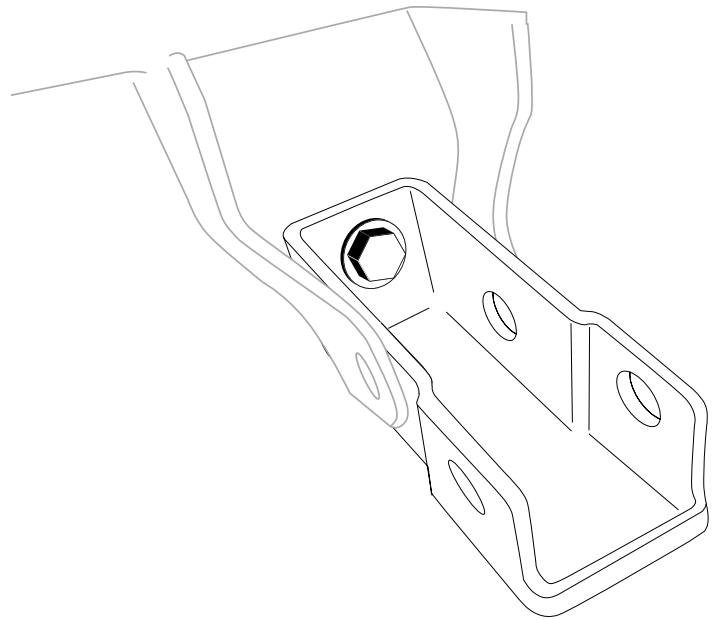
- Slide narrow end of Shock Extension (A) into factory lower shock mount on axle.



- Align small hole in bracket with small hole on factory shock mount and insert a 5/16" x 7/8" Bolt (C) with 5/16" Flat Washer (D).

HINT: Insert bolt from bracket side so that threaded end points forward.

- Install a 5/16" Nylock Nut (E) with another 5/16" Flat Washer (D) onto bolt, but do not tighten yet.



- Slide the supplied Steel Sleeve (B) into Extension Bracket (A) and align with original shock mounting holes.
- Insert 1/2" x 2-1/2" Bolt (F) with 1/2" Flat Washer (G) into the original shock mounting hole and through Extension Bracket (A) and Steel Sleeve (B). **HINT:** Sleeve prevents bracket from collapsing when 1/2" bolt is tightened.
- Secure bolt to shock mount by installing a 1/2" Ovalok Nut (H) with 1/2" Flat Washer (G) on other end.
- Using a torque wrench, tighten the 1/2" Bolt (F) to 65 ft-lbs. Then tighten the 5/16" Bolt (C) to 35 ft-lbs.

❑ 3. RE-INSTALL SHOCK ABSORBERS

- Slide the shock absorber into wide end of Extension Bracket (A) and secure with the original shock mounting hardware.
- Using a torque wrench, tighten original shock mounting bolt to 65 ft-lbs.

©2013 JKS Manufacturing, Inc & Aftermarketing, LLC
Revision Date 10/11/2013