



INSTALLATION INSTRUCTIONS

Product: Bar Pin Adapters

Part Number: JKS9608

Applications: Wrangler JK, 2007+ (front only)

Wrangler TJ, 1997-06 (front or rear)

Grand Cherokee ZJ, 1993-98 (front only)

517-278-1226 • tech@jksmfg.com • www.jksmfg.com
491 W. Garfield Avenue, Coldwater, MI 49036

Welcome

CONGRATULATIONS on purchasing new Bar Pin Adapters from JKS Manufacturing. We are committed to providing you with the best products available and your satisfaction is our first priority.

PLEASE READ these Installation Instructions carefully, and save them for future reference, as they contain important installation and maintenance information.

Important

COMPATIBLE WITH Racing Shocks using 1/2" ID spherical bearings.

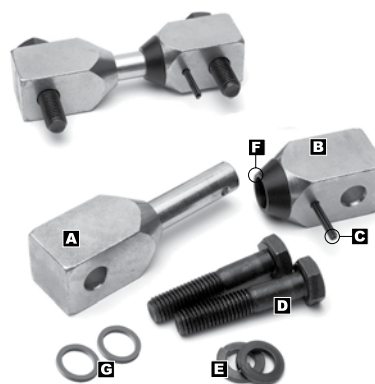
INSTALLATION OF BAR PIN ADAPTERS effectively reduces the static length of shock absorber by 0.40"

Tools Required

- Metric/Standard Socket Wrench Set
- Torque Wrench
- Bench Vice or C-Clamp
- Hammer and Punch *
- Sanding or Grinding Wheel *
- Factory Service Manual (recommended)

* Asterisk denotes tools that are not required for some applications. Thoroughly read instructions first to determine which tools will be required for your application.

Parts

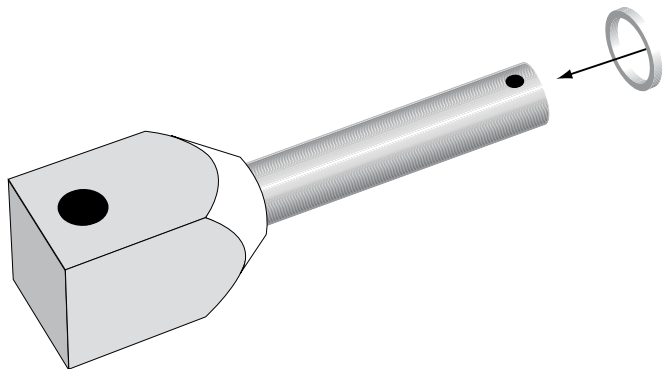


	Description	Part #	QTY
A	Cross Pin / Block Combo	03083	2
B	Mounting Block	03082	2
C	1/8" Roll Pin	64083	2
D	M10 x 50mm Hex Bolt	40698	4
E	Split Washer	40253	4
F	Composite Cone	03080	2
G	1/8" Spacers	03081	2

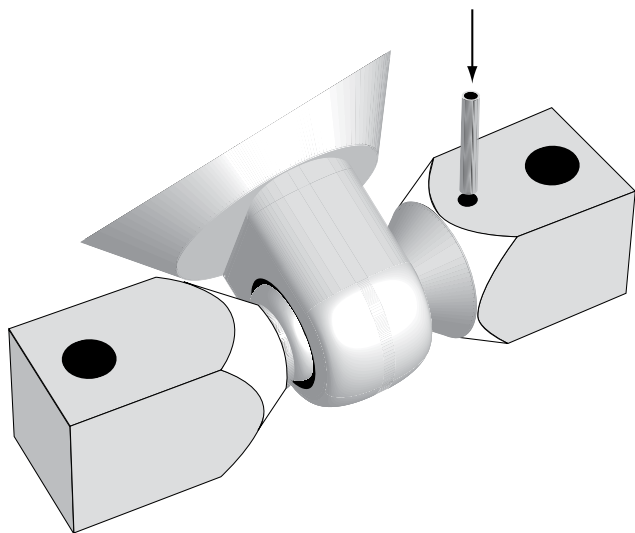
Installation

❑ 1. MOUNT BAR PIN ADAPTER TO SHOCK ABSORBER

- Slide a 1/8" Spacer (G) onto Cross Pin (A). **HINT:** Do not use 1/8" Spacers if installing shocks with 5/8" wide bearings, such as Bilstein.



- Insert Cross Pin (A) through spherical bearing.
- Slide remaining Mounting Block (B) onto opposite end of Cross Pin (A), making sure bolt and roll pin holes are correctly positioned.
- Squeeze Mounting Blocks together to slightly compress Composite Cone (F) until bolt and roll pin holes align. **HINT:** A bench vice or C-clamp is useful for compressing cone. Do NOT compress any more than necessary to align holes.
- Tap the 1/8" Roll Pin (C) through Mounting Block (B) and corresponding hole in Cross Pin (A).



❑ 2. MOUNT SHOCK TO VEHICLE

- Clean any dirt or debris from the upper shock mounting surface on chassis. **HINT:** A sanding or grinding wheel is useful for removing any stubborn material.
- Place a Split Washer (E) on each of the M10 x 50mm Hex Bolts (D).
- Position Bar Pin Adapter on mounting surface of chassis bracket. Insert Hex Bolts through blocks and original shock mounting holes. **HINT:** Blocks must lay completely flat against mounting surface.
- Using a torque wrench, tighten mounting bolts to 35-40 ft-lbs.

©2013 JKS Manufacturing, Inc & Aftermarketing, LLC
Revision Date 10/31/2013