



INSTALLATION INSTRUCTIONS

**Product: Flex Connect Sway Bar Disconnect
System™**

Part Number: PAC2114

Applications: Jeep Wrangler JL, 2018; JT Gladiator, 2020

517-278-1226 • jks@ridefox.com • www.jksmfg.com
491 W. Garfield Avenue, Coldwater, MI 49036

Welcome

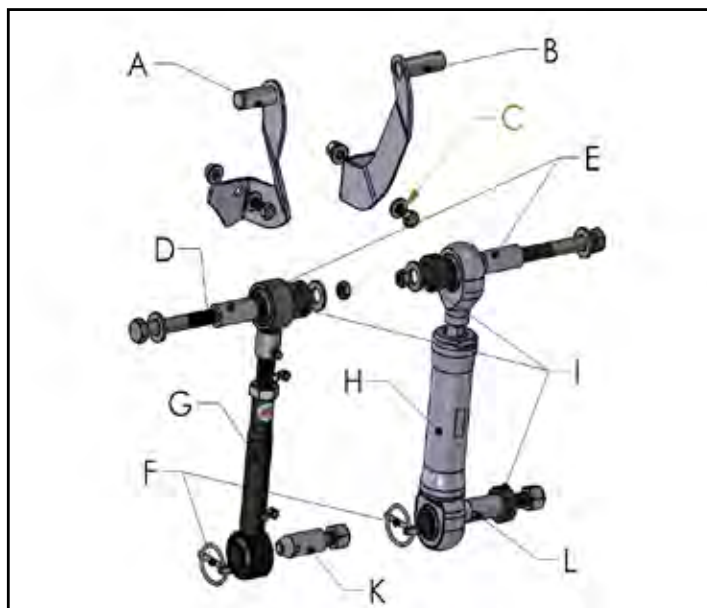
CONGRATULATIONS on purchasing a set of new Flex Connect Sway Bar Link System™ from JKS Manufacturing. We are committed to providing you with the best products available and your satisfaction is our first priority.

PLEASE READ these Installation Instructions carefully, and save them for future reference, as they contain important installation and maintenance information.

Tools Required

- Metric/Standard Socket Wrench Set
- Torque Wrench
- #1 Philips Screwdriver or Small Punch
- 15/16" Open-End Wrench
- 18mm & 19mm Open-End Wrenches
- Grease Gun with Zerk Fitting Coupler
- Wheel Bearing Grease

Parts



A	Passenger Side Retention Bracket
B	Driver Side Retention Bracket
C	5/16" Hardware (J127)
D	M12 x 75mm Hardware (J127)
E	3/4" x 1-5/8" Sleeve
F	Click Pin
G	Disconnect Assembly
H	Flex Connect Assembly
I	Polyurethane Spacer
J	Lower Female Threaded End Assembly
K	Short Disconnect Post
L	Long Disconnect Post
M	Blue Spring
N	Yellow Spring
O	Red Spring
P	Flex Connect Wrench
Q	Flex Connect Wrench

WARNING

Higher Rollover Risk



Modifying your Jeep® to improve off-road performance may result in vehicle handling different than as factory equipped, including increased ride-height and/or chassis articulation; reduced lateral stability and higher risk of roll-over or other accident. Also, owner's choice of larger tire and wheel combinations may require additional braking force or increased stopping distances.

Important Product Safety Information

For your safety and the safety of others, please read all instructions and warnings in this pamphlet and your Jeep® owner's manual and off road driving supplement before attempting installation. Within these instructions the following signal words refer to important product safety information:

WARNING

Indicates hazards or unsafe situations which could result in **severe personal injury or death**.

CAUTION

Indicates hazards or unsafe situations which could result in property damage or minor to moderate personal injury.

NOTICE

Careful attention is required to this operation that generally does not relate to personal injury, although damage to your JKS product or other property may result if you fail to follow instructions.

To reduce risk of serious injury and accident:

- Choose modifications that balance your actual highway & off-road use.
- Avoid sharp turns, abrupt maneuvers or steep side-cambers.
- Avoid other maneuvering conditions which may cause the vehicle to trip, roll, lose traction or compromise your ability to safely brake in an emergency.
- Routinely inspect your vehicle components for unusual wear or off-road damage. Repair or replace any unserviceable components before use.
- Acquaint any other drivers with your vehicle modifications and handling.
- Always wear seat belts and/or appropriate off-road restraints, reduce your speed, Tread Lightly®.

Important

NOT COMPATIBLE WITH *aftermarket swaybars.*
Install product with Original Equipment swaybar only.

NEVER DISCONNECT swaybar when operating vehicle on public roads.

WHEN DISCONNECTED, the sway bar must be secured to the chassis in a relatively horizontal position by the retention brackets provided, lanyards, or other means. Failure to do so could cause interference with the tires or other components.

WARNING

Stay Connected On-Road

On-highway safety is enhanced by controlling body roll. Never disconnect swaybar when operating on public roads.

WARNING

To assure intended performance JKS® Quicker Disconnects™ are NOT COMPATIBLE with aftermarket Swaybars. Install ONLY with Jeep® factory sway bar.

On-highway safety is enhanced by controlling body roll. Never disconnect swaybar when operating on public roads.

Installation

- ❑ 1. REMOVE ORIGINAL EQUIPMENT (OE) SWAYBAR LINKS
 - Remove front swaybar links and save lower mounting hardware (18mm).



- ❑ 2. INSTALL FLEX CONNECT SWAY BAR DISCONNECT SYSTEM TO SWAY BAR
 - adjust the link to 9 7/16".

11-5/8" max. length

CAUTION

Max. length is based on required thread engagement. Measure & DO NOT extend Quicker Disconnects™ beyond maximum length of your part number.

- Once adjusted, tighten jam nuts firmly against the lower ends .

IMPORTANT: Bushing cradles at both ends of disconnect must remain parallel with each other when Jam Nut is tightened.

- For adjustment of the Flex Connect link please see the "Flex Connect Rebuild" section at the end of the instruction.
- Insert the longer sleeves into the upper bushing (male end) and slide the polyurethane spacer onto the upper sleeve so it will mount towards the swaybar. The links will be installed with the grease fittings forward.
- Using the provided 12mm x 75mm bolts, loosely fasten the sway bar links to the sway bar with the bolts installed from the outside towards the frame.



- Measure back 1-1/4" from the center of the sway bar link hole or just past the weld at the axle and make a vertical cut line. Cut off the tab at the mark and paint exposed metal.



- Attach the short mounting post into the original sway bar link mount hole on the track bar bracket. Tighten the post ensuring the click pin hole is horizontal or parallel with the ground. Tighten to 65 ft-lbs.

Note: A small screwdriver or punch inserted into the pin hole will keep the post from turning as you tighten it.

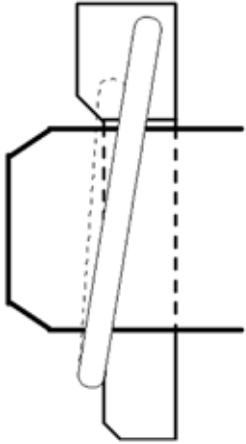


- Attach the long mounting post with polyurethane spacer into the factory sway bar link mount. The stud should point towards the center of the vehicle. Tighten the post ensuring the click pin hole is horizontal or parallel with the ground. Tighten to 65 ft-lbs.

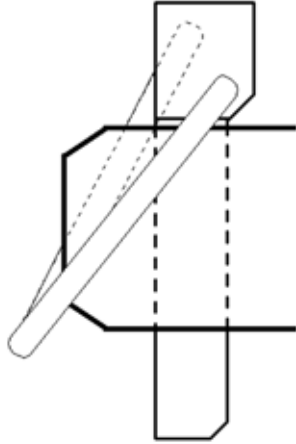


-
- 3. INSTALL FLEX CONNECT SWAY BAR DISCONNECT SYSTEM
 - Torque the Flex Connect to sway bar mounting bolts to 65 ft-lbs.
 - Insert click pins as illustrated to secure.

CORRECT



WRONG



When properly installed, the ring on the Click Pin will “snap” against the shaft of pin. When installed backwards, the ring does not fit snugly against shaft.



❑ 4. INSTALL FLEX CONNECT SWAY BAR DISCONNECT SYSTEM RETENTION BRACKETS

- Install the retention brackets using the provided 5/16” bolts into the factory hole in the front of the coil bucket as shown. These are designed to slightly form to the edge of the coil bucket to hold them in place.



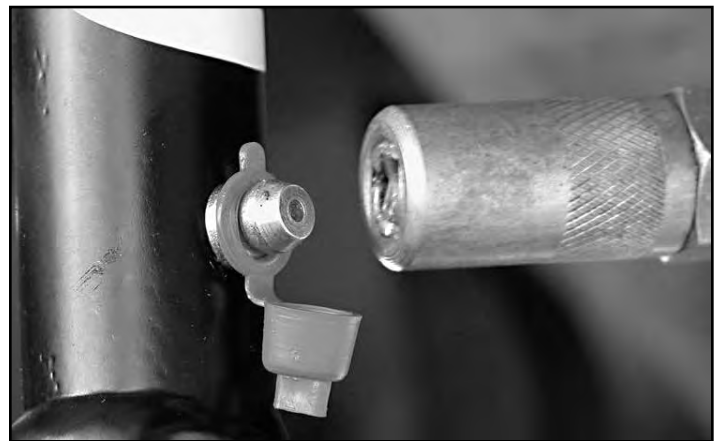
- With the vehicle at ride height, slide the ends of the disconnects on to the axle posts. Insert click pins to secure.
- Torque the flex connect to sway bar mounting bolts to 65 ft-lbs.

CAUTION

When disconnected with the retention brackets, adequate bump stop must be in place to prevent sway bar to steering interference under extreme conditions. In most cases the lift system should have adequate bump to ensure clearance. If adequate bump stop is not present, a lanyard kit may be required instead of the retention brackets.

❑ 5. LUBRICATE QUICKER DISCONNECTS

- Lubricate all grease zerk fittings on the Quicker Disconnects immediately after installation using common wheel bearing grease or equivalent.



Flex Connect Rebuild

6. CORRECT OPERATION OF DISCONNECTING THE FLEX CONNECT

- Remove the click pins from the axle and slide the disconnects off of the axle posts.
- Rotate the quicker disconnect up until they fit onto the retention bracket. The sway bar may need to be rotated to get them in place.
- Reattached the click pins to the retention brackets to hold them in place.
- To reconnect, remove click pins from retention brackets and slide the links down to the axle.
- Slide quicker disconnects back onto the mounting posts and re-install click pins.

If you encounter any problems with your installation and setup, please contact JKS Manufacturing for technical assistance.

JKS Technical Support

Phone	517-278-1226
E-Mail	jks@sporttruckusainc.com

Troubleshooting

If swaybar does not rotate freely enough, remove from vehicle, clean and apply rubber lubricant to chassis-mounted bushings, and reinstall.

Maintenance

It is important to lubricate Flex Connects frequently for the first three (3) months after installation to evacuate contaminants that may build up during break-in period.

After break-in period, Flex Connects should be lubricated regularly as part of vehicle maintenance schedule.

Regular cleaning with pressurized water is recommended to maximize ease of operation and reliability. Always lubricate afterwards to evacuate any moisture.

©2019 JKS Manufacturing
Revision Date 5/15/2019

The internal components of the Flex Connect are sealed and designed for maintenance free long term performance. These instructions are provided as a reference for the steps required to swap springs. The Flex Connect Performance Spring Kit is sold separately as part number 2100.

1. FLEX CONNECT DISASSEMBLY

These instructions are written with the assumption the customer has the assembly wrenches included in the Performance Spring Kit. If not, 2 crescent wrenches with jaw openings up to 1-1/2" can be used.

- Hold the body of the Flex Connect across the flats and loosen the Flex Connect body as shown in the Figure.

Note: A 3/8" ratchet can be inserted into the square hole in the wrench if additional leverage is required.



Note: If using a vice, put the cap in the vice jaws and use the provided wrench on the body to prevent the vice from binding on the threads.

- With the cap unthreaded, slide the shaft assembly out of the body.
- Tip the Flex Connect body up and the spring followed by the washer will fall out of the body.
- To remove the spring from the shaft, hold the shaft across the flats next to the bronze bushing and remove the nut.

Note: The wrench with the rounded opening is 1/2" across the flats for the rod and the other is 9/16" for the nut.



- Slide the spring off of the shaft.

Note: The spring washer goes on the side of the spring towards the cap.

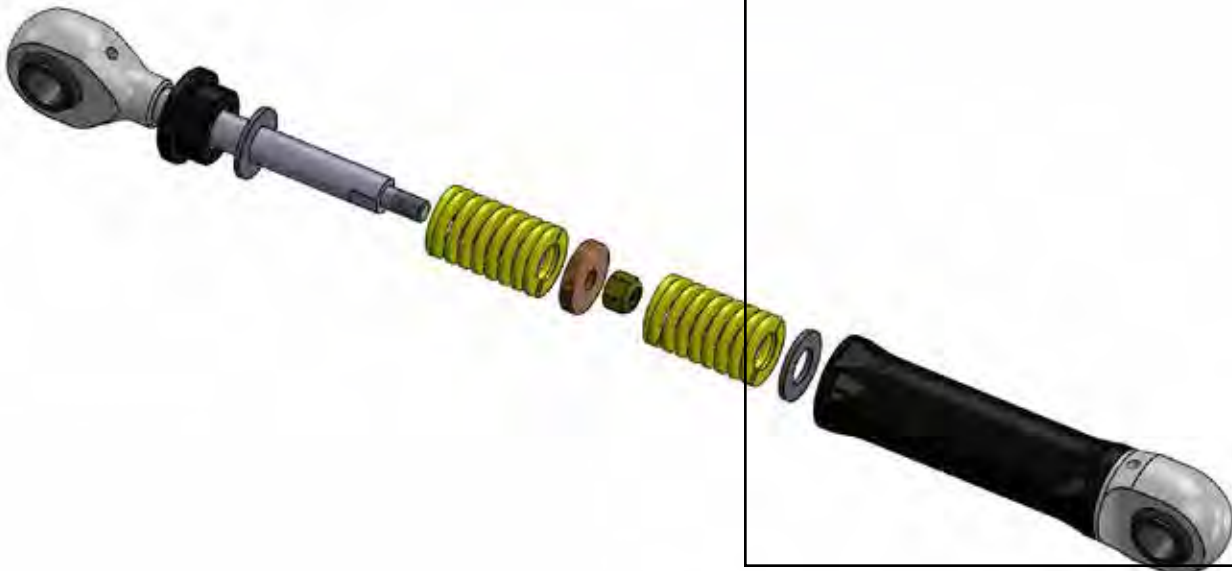
2. FLEX CONNECT ASSEMBLY

- Install the washer back into the body of the Flex Connect followed by the spring of your choosing.

Effective Spring Rates - % softer than stock sway bar	
Blue Spring	80%
Yellow Spring	65%
Red Spring	50%
Flex Connect OE Spring	40%

- Install a matching spring onto the Flex Connect shaft followed by the bronze bushing and nut
- Torque the nut to 25 ft-lbs.

IMPORTANT: Always install matching springs into the Flex Connect. Failure to do so will create different roll stiffness depending on the direction of roll and yield undesirable handling characteristics.



- Apply grease to the bronze bushing if it was removed during disassembly
- Slide the Flex Connect shaft back into the housing and slide the cap down the shaft until the threads engage.
- Tighten the cap to approximately 25 ft-lbs.