



INSTALLATION INSTRUCTIONS

GRILLE GUARD KIT

TRANS4MER GEN II

Your safety, and the safety of others, is very important. To help you make informed decisions about safety, we have provided installation and operating instructions and other information on labels and in this guide. This information alerts you to potential hazards that could hurt you or others. It is not possible to warn you about all potential hazards associated with this product, you must use your own good judgment.

CARELESS INSTALLATION AND OPERATION CAN RESULT IN SERIOUS INJURY OR EQUIPMENT DAMAGE. READ AND UNDERSTAND ALL SAFETY PRECAUTIONS AND OPERATING INSTRUCTIONS BEFORE INSTALLING AND OPERATING THIS PRODUCT.

This guide identifies potential hazards and has important safety messages that help you and others avoid personal injury or death. **WARNING** and **CAUTION** are signal words that identify the level of hazard. These signal words mean:

⚠ WARNING signals a hazard that could cause serious injury or death, if you do not follow recommendations.

⚠ CAUTION signals a hazard that may cause minor to moderate injury, if you do not follow recommendations.

This guide uses **NOTICE** to call attention to important mechanical information, and **Note:** to emphasize general information worthy of special attention.

NOTICE

Failure to observe these instructions could lead to equipment damage.

- Always** use appropriate and adequate care in lifting components into place.
- Always** insure components will remain secure during installation and operation.
- Always** tighten all nuts and bolts securely, per the installation instructions.

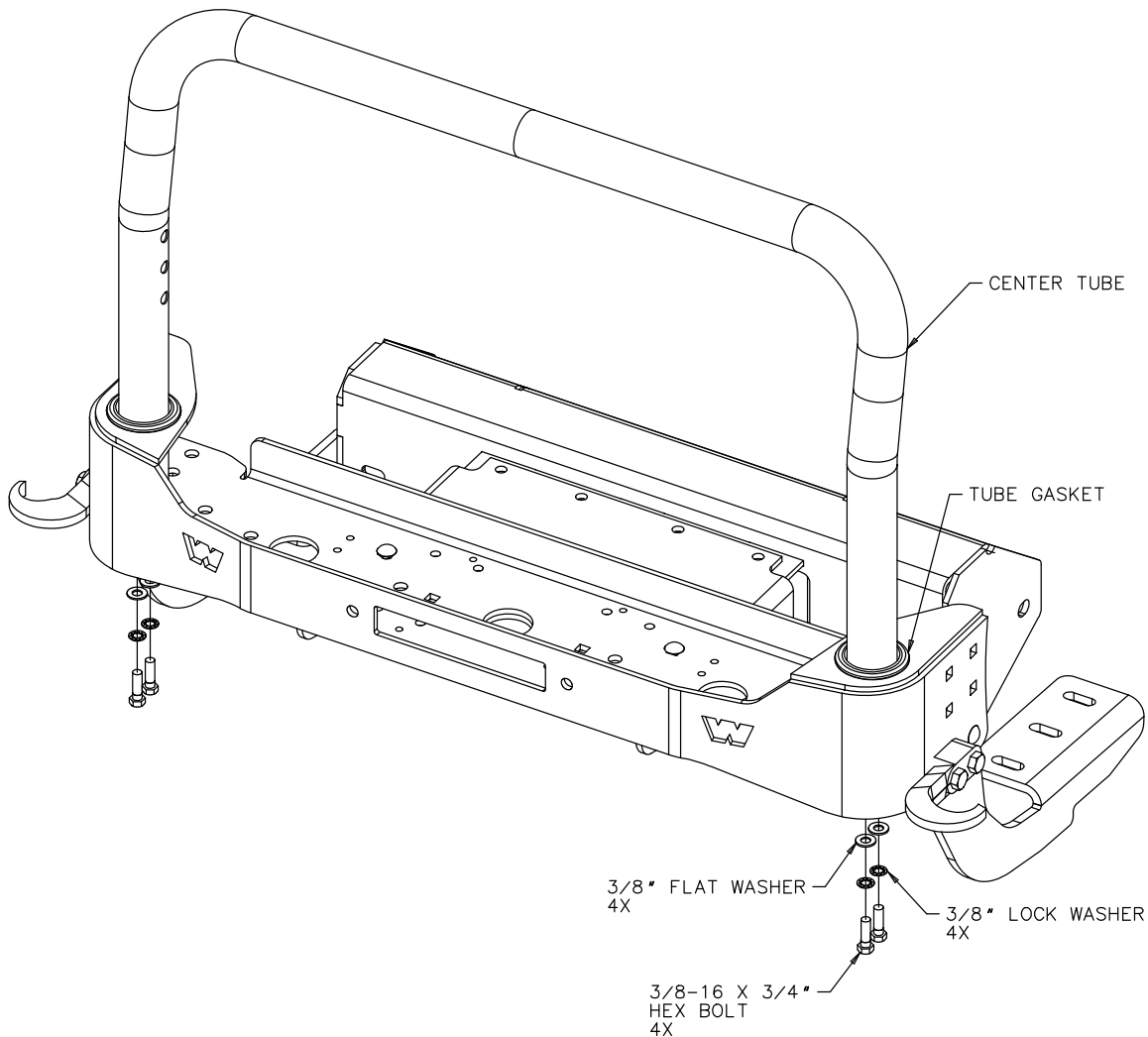
I. TOOLS REQUIRED

9/16" SOCKET
RATCHET

IV. TORQUE SPECIFICATIONS

3/8 30 lb. ft. (40.7 N-m)

V. INSTALLATION DIAGRAM



VI. INSTALLATION

1. Install tube gaskets into the large round holes as shown above. It may be necessary to remove the rubber hole plugs if installed.
2. Install center tube into Trans4mer by sliding it through the tube gaskets until it contacts the bottom of the Trans4mer. If center tube does not slide easily through tube gaskets, soapy water can be used to ease the friction.
3. Install bolts, lock washers and flat washers as shown in diagram.
4. Tighten all 4 bolts to torque specified on page 1.